

Model Name > [LBV310-LXAGDRKMX](#)
Part No. > [6042635](#)



Illustration may differ

At a glance

- Rugged device design
- Several housing materials and electrical outputs available
- Immune to deposit formation
- Commissioning without filling
- Process temperature up to 250 °C
- Very high repeatability
- ATEX versions (1D/2D/1G/2G) available
- Tube extensions (LBV330) and rope extensions (LBV320) available for vertical mounting up to 80 m distance

Your benefits

- Easy installation and commissioning, no calibration necessary
- Easy operation and integration, saves time
- Maintenance-free sensor, reduces downtime
- Testing in place possible - no mounting required, which reduces installation time
- Flexible and tough system for a multitude of applications



Features

Medium:	Bulk solids
Measurement:	Switch
Probe length:	220 mm
Process pressure:	-1 bar ... 25 bar
Process temperature:	-50 °C ... 150 °C
ATEX approval:	ATEX II 1/2G, 2G Ex d IIC T6
Particle size:	< 10 mm
Fill material density:	≥ 0.008
Type examination:	TÜV 09 ATEX 372526 X, TÜV 09 ATEX 555503

Performance

Accuracy of sensor element:	± 10 mm
Repeatability:	≤ 5 mm

Mechanical data

Housing material:	Plastic
Process connection:	G 1½ A PN 25
Sensor material:	Stainless steel 1.4404

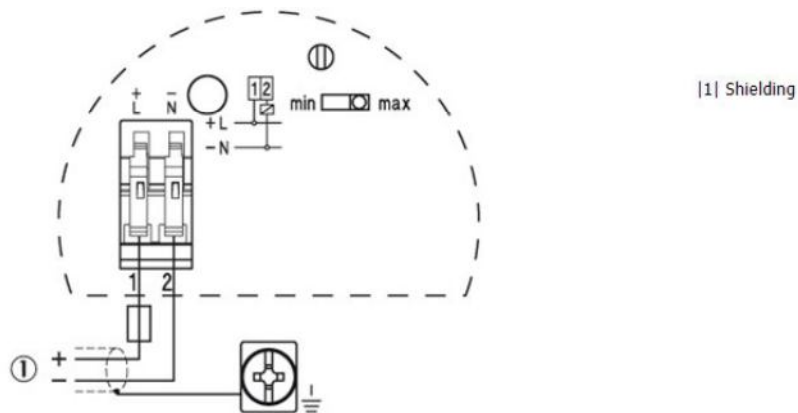
Electrical data

Enclosure rating:	IP 66
Power consumption:	5 mA ... 30 mA
VDE protection class 1:	✓
Initialization time:	2 s
Response time:	500 ms
Output signal:	Double relay (DPDT): 20 V DC ... 72 V DC / 20 ... 253 V AC
Hysteresis:	10 mm
Output current:	> 10 μ A; < 3A AC, 1A DC
Capacitive load:	750 VA 54 W
Inductive load:	750 VA 54 W
Connection type:	M20 x 1.5

Ambient data

Ambient operating temperature:	-40 °C ... 80 °C
Ambient storage temperature:	-40 °C ... 80 °C

Contactless electronic switch connection diagram

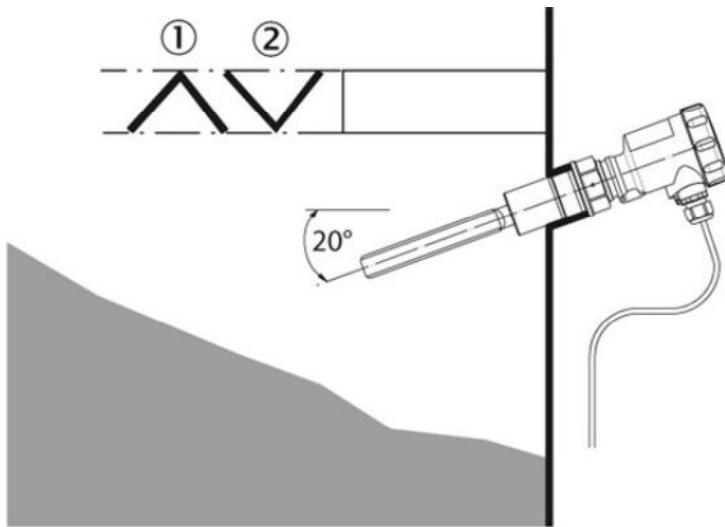


Flow orientation of the tuning fork



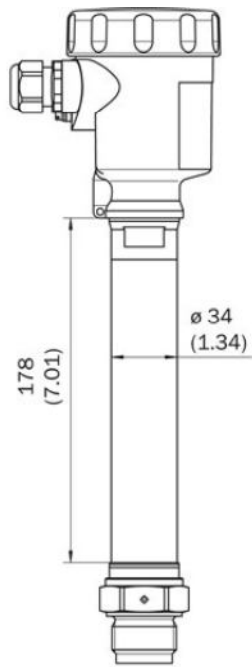
- |1| Marking with screwed version
- |2| Direction of flow

Horizontal mounting



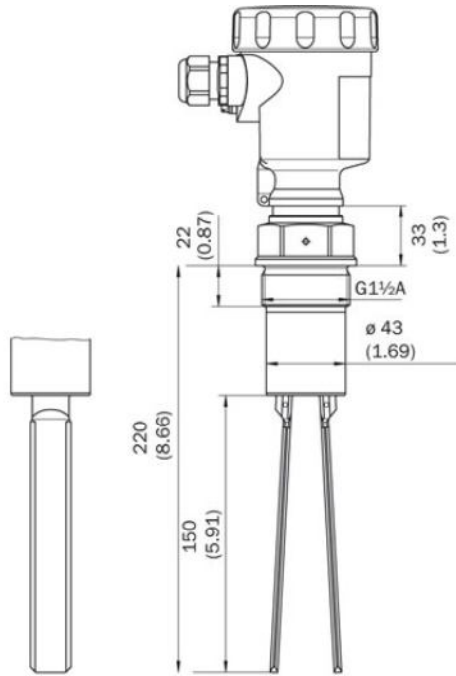
- |1| Protective sheet
- |2| Concave protective sheet for abrasive solids

Temperature adapter



All dimensions in mm (inch)

Dimensional drawing



All dimensions in mm (inch)