

Model Name > [CM18-08BNP-KC1](#)

Part No. > [6021456](#)



At a glance

- Cylindrical design
- Operating distance 8 mm / 12 mm
- High electromagnetic immunity
- Short-circuit protection (pulsed)
- LED function indicator
- Sensitivity control with potentiometer
- Enclosure rating IP 67
- Complementary output function

Your benefits

- High flexibility when installing the sensors
- Can be mounted in very limited spaces
- High operational reliability
- Optimum setting of operating distance



Features

Sensing range Sn:	8 mm
Installation in metal:	Flush
Switching frequency:	30 Hz
Connection type:	Connector M12, 4-pin
Switching output:	NPN
Output function:	Complementary
Electrical wiring:	DC 4-wire
Enclosure rating:	IP 67 ¹⁾

¹⁾ According to EN60529

Mechanics/electronics

Design:	cylindrical
Thread size:	M18 x 1
Housing length:	83.5 mm
Thread length:	46.5 mm
Supply voltage:	10 V DC, ... 40 V DC
Ripple:	≤ 10 % ¹⁾
Power consumption:	≤ 10 mA ²⁾
Voltage drop:	≤ 2.5 V DC ³⁾

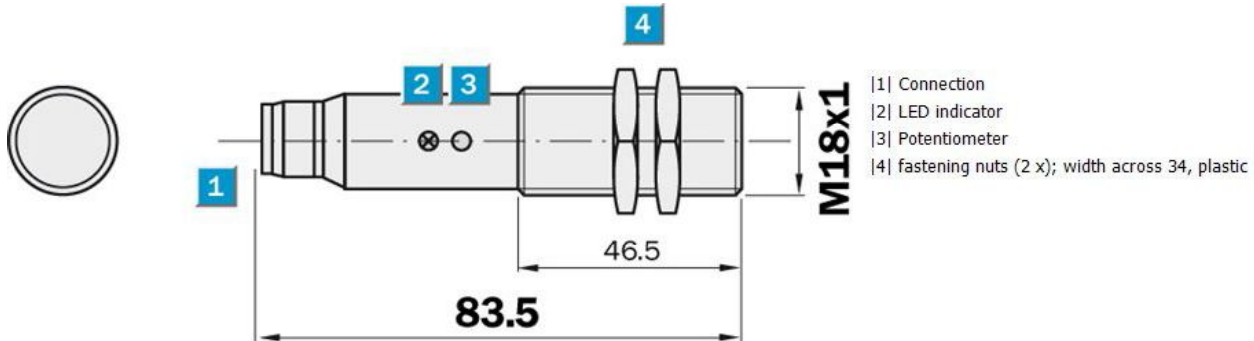
Continuous current I _a :	≤ 200 mA
Hysteresis:	4 % ... 20 %
Repeatability:	≤ 5 % ^{4) 5)}
Temperature drift (of sr):	± 10 %
EMC:	According to EN 60947-5-2
Max. tightening torque:	2.6 Nm
Reverse polarity protection:	✓
Short-circuit protection:	✓
Housing material:	Plastic
Housing cap:	PBT
Sensing area material:	Plastic
Power-up pulse suppression:	✓
Time delay before availability:	≤ 100 ms

1) 4) 5) 2) Without load ³⁾ At I_a max

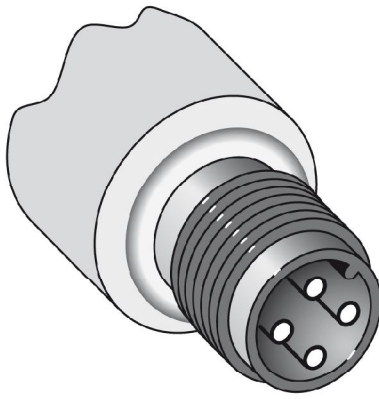
Ambient data

Ambient temperature, operation:	-25 °C ... 80 °C
Shock/vibration stress:	30 g, 11 ms/10 ... 55 Hz, 1 mm

Dimensional drawing



Connection type



Connection diagram

