

Model Name > [CLV640-1000](#)
Part No. > [1042016](#)



At a glance

- Dynamic focus adjustment enables extended depth of field
- Integrated pushbuttons for auto setup and reading diagnostics
- CAN, Ethernet TCP/IP, PROFINET, and EtherNet/IP available on board, no additional gateway needed (depending on variant)
- Enhanced SMART code reconstruction technology
- Flexible sorting, filtering, and logical functions
- Advanced, easy-to-use SOPAS configuration software
- Integrated LED bar graph
- Advanced remote diagnostics and network monitoring capabilities available over Ethernet

Your benefits

- Economical, as only one CLV64x is required for all focus positions
- Intelligent auto setup and multi-function pushbuttons save time during commissioning
- Teach-in of match code possible via the pushbuttons
- Easily execute firmware updates using the SD memory card: no need for a PC
- No supplementary Ethernet gateway required with Ethernet models - lowers costs
- Enhanced SMART technology reads damaged and partially obscured codes, increasing read rates
- Increased scanner intelligence enables sophisticated configuration of logical operations, reducing the control system programming effort. Data is then delivered in the desired format
- Real-time decoding at very high speeds



Features

Version:	Standard Density
Connection type:	Standard
Reading field:	Front
Scanner design:	Raster scanner
Focus:	Dynamic focus control
Light source:	Visible red light (655 nm)
MTBF:	40,000 h
Laser class:	2 (EN 60825-1 (A2:2001-03))
Field of view:	≤ 50 °
Code resolution:	0.2 mm ... 1 mm

Reading distance (at code resolution):	60 mm ... 840 mm (1 mm)
Raster height, number of lines, at distance:	15 mm, 8, 200 mm
Heating:	Optional
Scanning frequency:	400 Hz ... 1,200 Hz

Performance

Bar code types:	Interleaved 2 of 5, All current code types, Codabar, Code 128, Code 39, Code 93, EAN, EAN 128, GS1 DataBar, Pharmacode, UPC
Print ratio:	2:1 ... 3:1
No. of codes per scan:	1 ... 20 (Standard decoder), 1 ... 6 (SMART decoder)
No. of codes per reading interval:	1 ... 50 (auto-discriminating)
No. of characters per reading interval:	5,000, 500 (for multiplexer function in CAN operation)
No. of multiple readings:	1 ... 99

Interfaces

Serial (RS-232, RS-422/485):	✓
Remark (Serial (RS-232, RS-422/485)):	AUX (only RS-232)
Function (Serial (RS-232, RS-422/485)):	Host, AUX
Data transmission rate (Serial (RS-232, RS-422/485)):	2,400 Baud ... 115 kBaud, AUX: 57.6 kBaud
Ethernet:	-
CAN bus:	✓
Function (CAN bus):	SICK CAN sensor network (Master/Slave, Multiplexer/Server)
Protocol (CAN bus):	CANopen, CSN (SICK CAN Sensor Network)
Data transmission rate (CAN bus):	20 kbit/s ... 1 Mbit/s
PROFIBUS DP:	✓
Remark (PROFIBUS DP):	Optional via external connection module (CDF)
EtherCAT:	✓
Remark (EtherCAT):	Optional via external connection module (CAN232)
DeviceNet:	✓
Remark (DeviceNet):	Optional via external connection module (CAN232)
Connector:	Fix
Control elements:	2 buttons (choose and start/stop functions)
Memory card:	Micro SD card (flash card) 512 MB, optional
Switching inputs:	4 ("Sensor 1", "Sensor 2", 2 inputs via optional CMC600 in CDB620/CDM420)
Switching outputs:	4 ("Result 1", "Result 2", 2 outputs via optional CMC600 in CDB620/CDM420)
Reading pulse:	Auto pulse, CAN, Non-powered, "Sensor 1" switching input, Serial interface
Optical indicators:	6 LEDs (Ready, Result, Laser, Data, CAN, LNK TX, Bar graph for displaying the reading rate percentage (10 LEDs))
Acoustic indicators:	Beeper/buzzer (can be switched off, can be allocated as a result status indication function)

Mechanics/electronics

Electrical connection:	1 15-pin D-Sub HD plug (0.9 m)
Operating voltage:	18 V DC ... 30 V DC
Power consumption:	5.5 W
Housing:	Die-cast aluminum
Housing color:	Light blue (RAL 5012)
Enclosure rating:	IP 65 (EN 60529)
Protection class:	III (EN 61140)
Weight:	320 g, with connecting cable

Dimensions:

61 mm x 96 mm x 38 mm

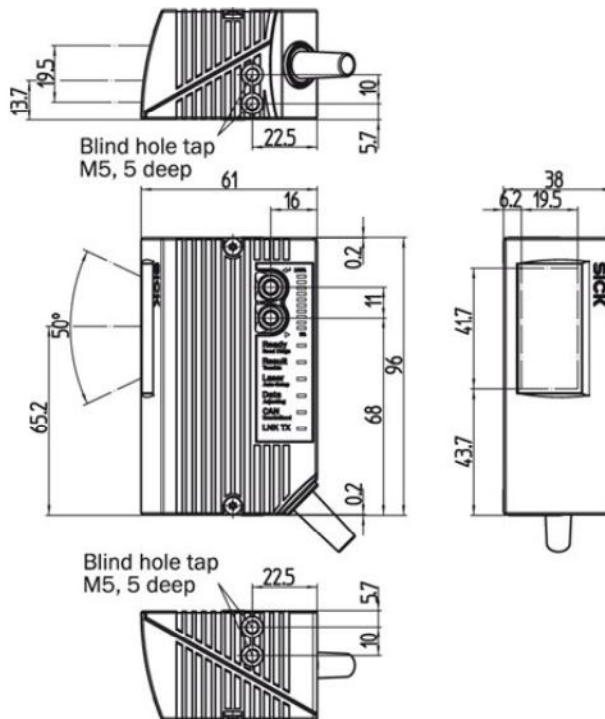
Ambient data

Electromagnetic compatibility (EMC):	EN 61000-6-3 (2001-10)/EN 61000-6-2:2005
Vibration resistance:	EN 60068-2-6 (1995)
Shock resistance:	EN 60068-2-27 (1993)
Ambient operating temperature:	0 °C ... 40 °C
Storage temperature:	-20 °C ... 70 °C
Permissible relative humidity:	90 %, non-condensing
Ambient light safety:	2,000 lx, on bar code
Bar code print contrast (PCS):	≥ 60 %

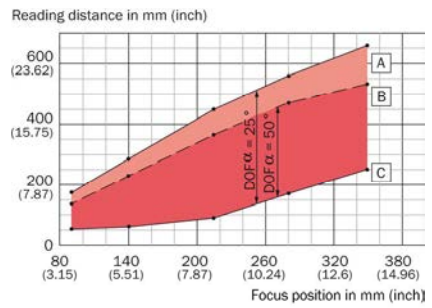
General notes

Note on use: For Ethernet connection please use an Ethernet version of CLV6xx

Dimensional drawing



Reading field diagram



Resolution 0.5 mm (19.7 mil)

- A max. reading distance (aperture angle 25°)
- B max. reading distance (aperture angle 50°)
- C min. reading distance